

OUTDOOR IP66 CABINETS



Suitable for IT and telecommunication solutions in outdoor conditions; protection against dust, accidental contact and water. Manufactured from DX51D+ZN275 material. Provides IP66 protection class by polyurethane seal on door. Resistant to vandalism with 3 point lock system provides. RAL7035 light gray polyester electrostatic powder paint is applied on the monoblock structure to protect the cabinet from corrosion, heat, icing and environmental influences. Insulation material available between single or double walled structure. Air condition available as option



Color Options

RAL7035 Light Grey

RAL9005 Black



Ventilation

2 fans with thermostat on the top sheet ensure air circulation, fans provide hot air outlet and side filters allows cool air inlet.

Double Wall Structure

Double-walled and insulated structure, provides high protection against accidental contact, vandalism, extreme thermal conditions and environmental impact. The outer wall is 1.5mm and the inner wall is 1.0mm, both of them DX51D+ZN275 galvanized steel. Considering environmental conditions and impact; double-walled, 8mm polyurethane thermal insulation material is used in the cabinets. This insulated structure is an effective solution to extreme weather conditions. Through ventilation slots on the forehead of cabinet cold, fresh air enter and fans are discharge the air. Thus decrease the temperature inside the cabinet prevents heat which may damage the active devices.

Water and Dust Proof

Polyurethane gasket is available on the front door and top cover.

Loading Capacity

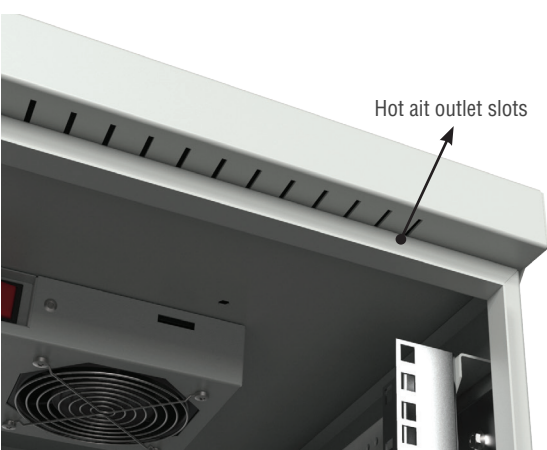
Recommended up to 80 kg Loading capacity.

Locking Mechanism

Three-point locking with zinc alloy metal swing handle provides full security against vandalism.

Protection Paint

Polyester paint which is suitable for outdoor conditions applied. It protects against Environmental influence and weather conditions. Standard colour is RAL 7035 polyester outdoor paint. As an option, primer can be applied before painting for higher protection and longevity.



19" Mounting Rails

Mounting rails are adjustable along the depth of the cabinet. Made of 1.5mm DX51D+ZN275 material and "U" numbered for easy installation.

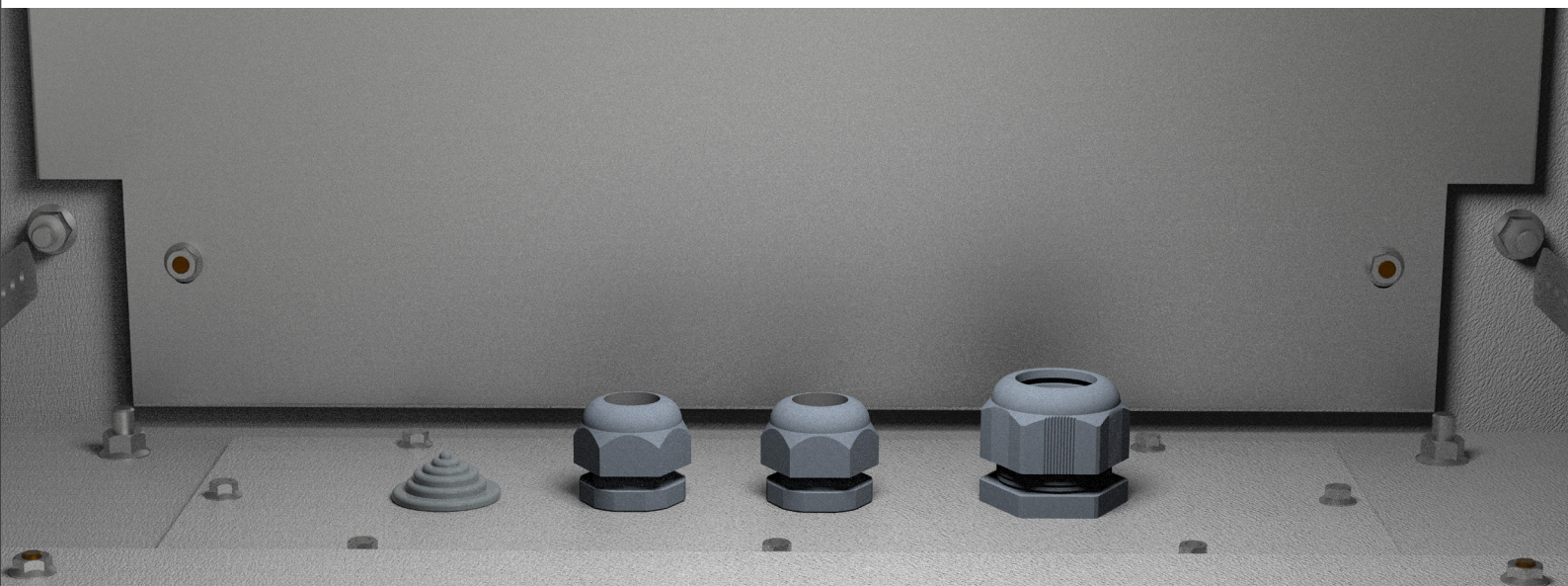


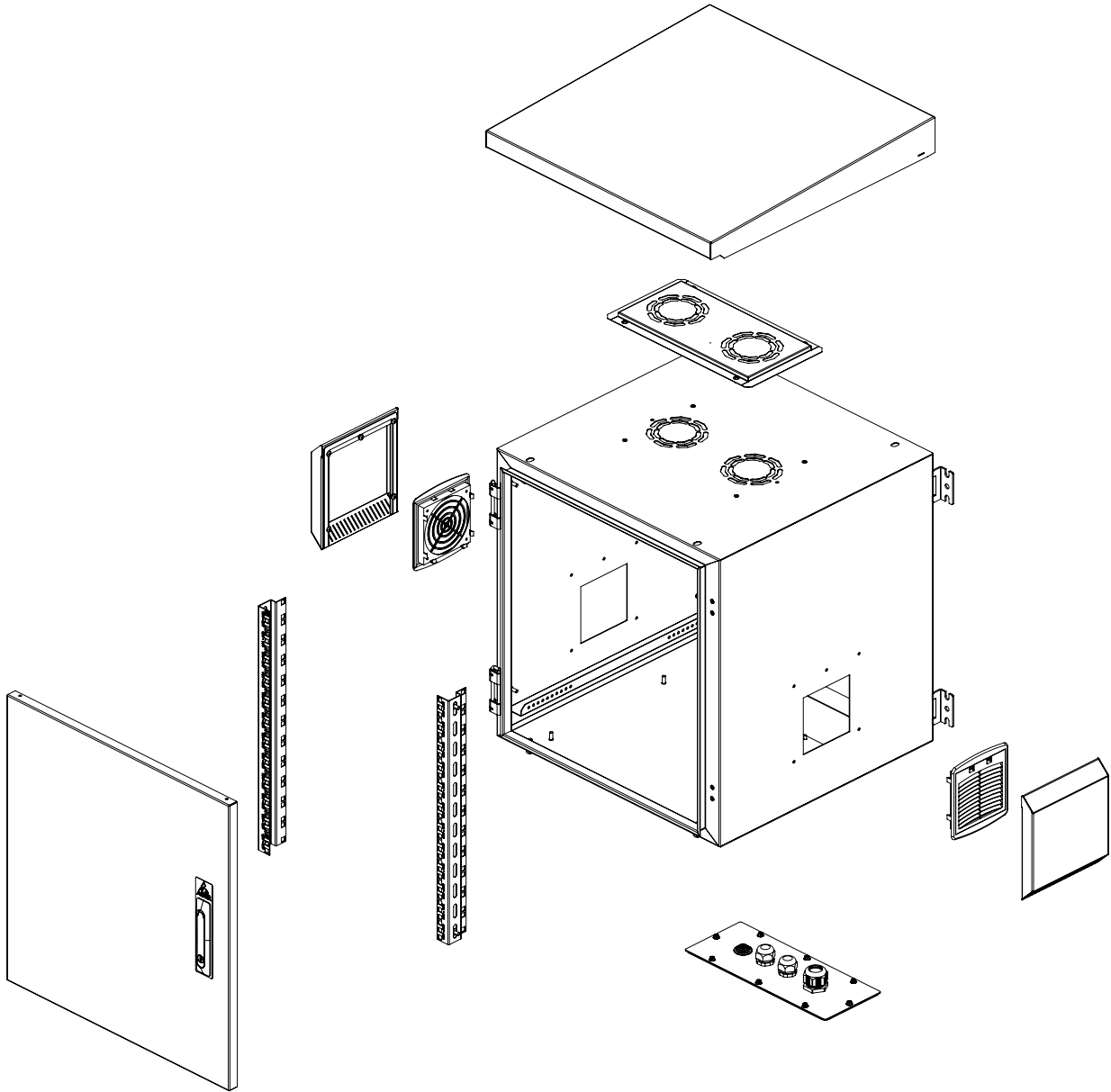
Filter System

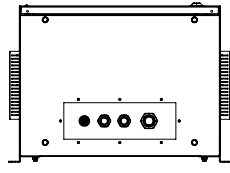
Through the side filter grids cold, fresh air enter and fans are discharge the heated air and humid. The cleanable and replaceable air filter is used in side filter grids

Bottom Cable Entry

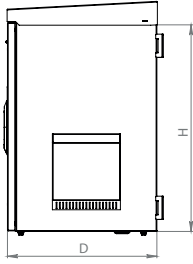
At the bottom cover of the outdoor cabinet brushed entry or cable glands entry can be used. Standard cable entry; 1XPG29, 2XPG21 and 2XØ28 PVC blind cap



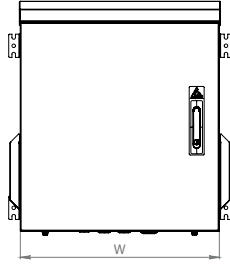




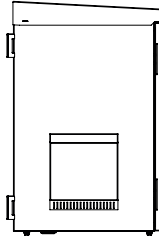
Bottom View



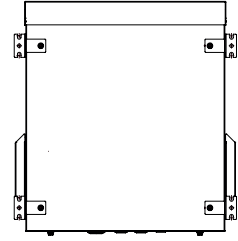
Side View



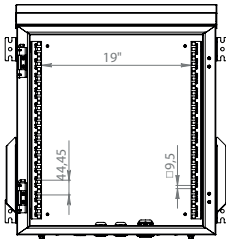
Front View



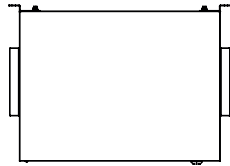
Side View



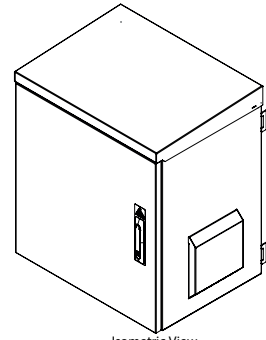
Rear View



Front View Without Door



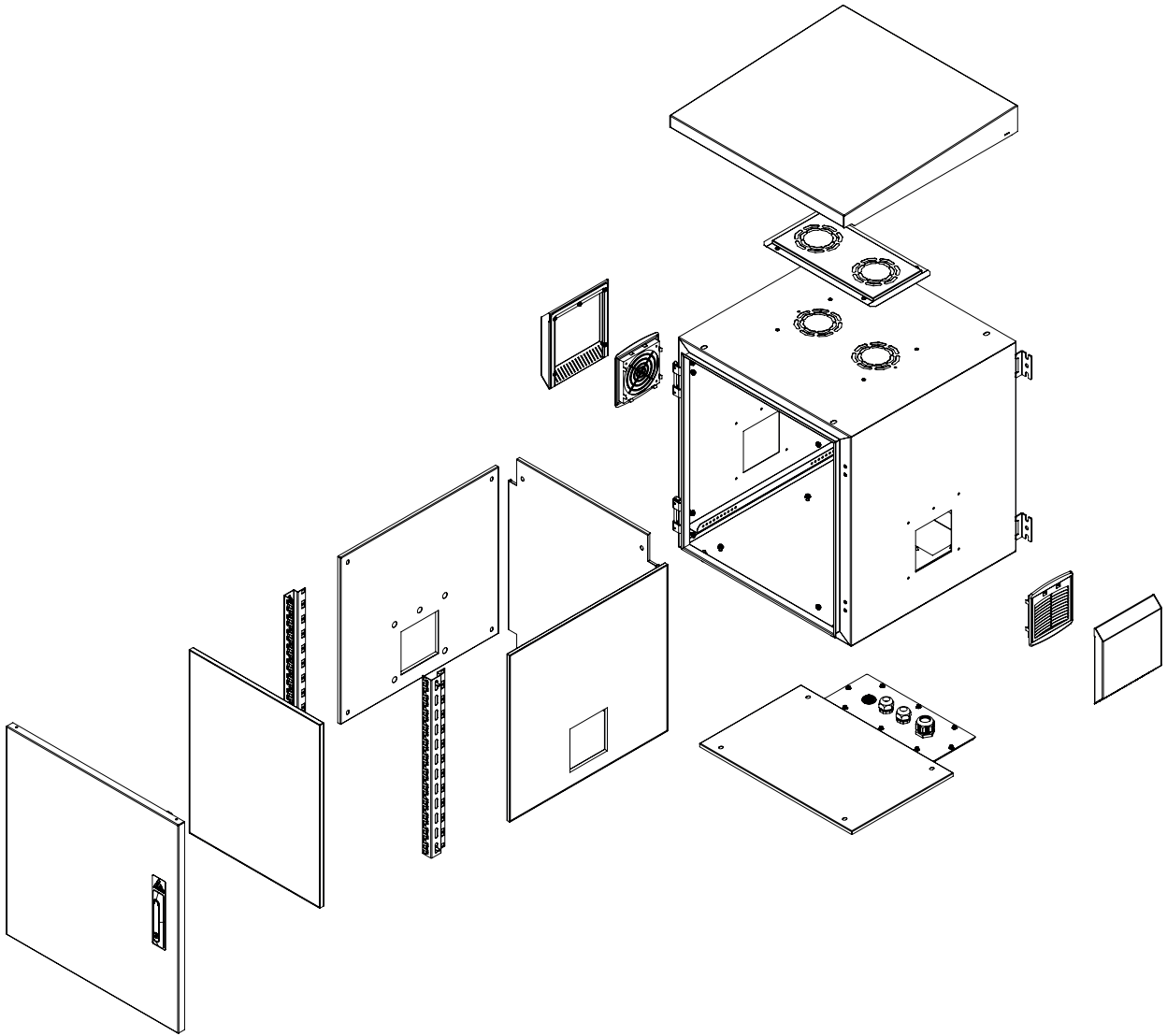
Top View

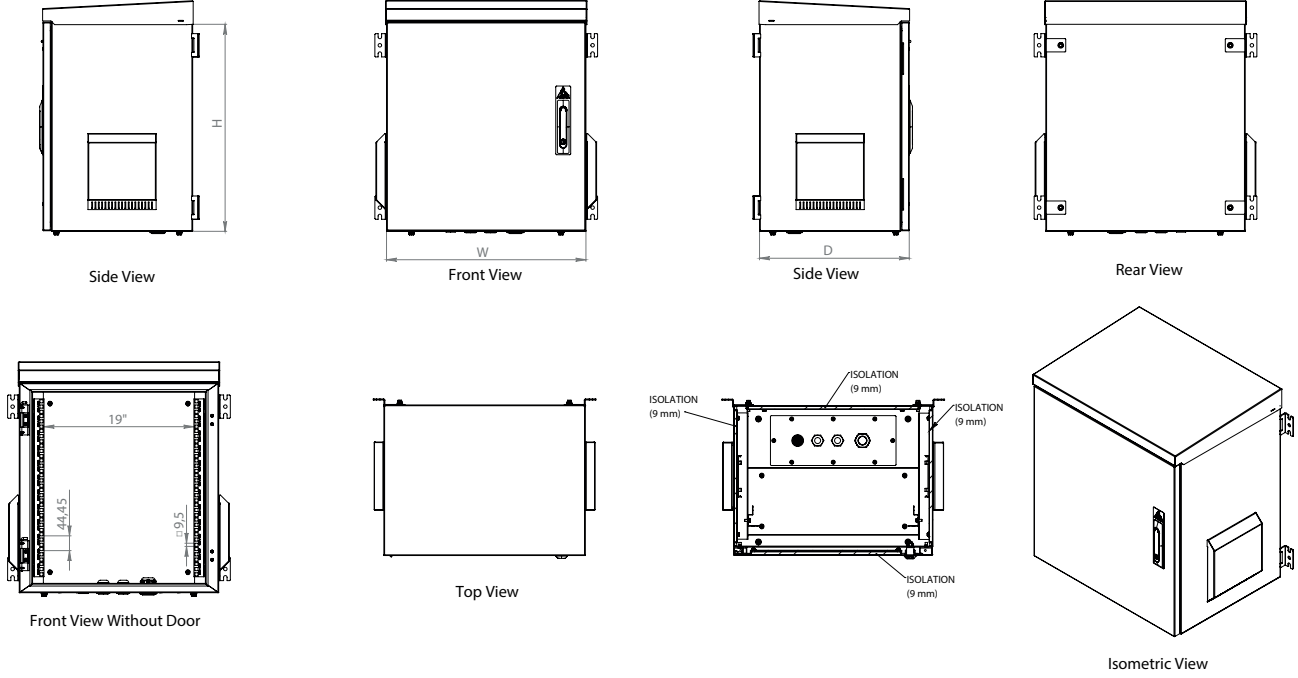


Isometric View

Outdoor IP66 Cabinets

Product Code	Product Description	Height (U)	Width (W) (mm)	Depth (D) (mm)	Height (H) (mm)	Weight (Net) (kg)	Weight (Brut) (kg)
AG-OT07U6045B2-D-A-M1	07U 19" IP66 Outdoor Cabinets W=600mm D=450mm	7U	600	450	409	31	32
AG-OT09U6045B2-D-A-M1	09U 19" IP66 Outdoor Cabinets W=600mm D=450mm	9U	600	450	498	33	34
AG-OT12U6045B2-D-A-M1	12U 19" IP66 Outdoor Cabinets W=600mm D=450mm	12U	600	450	631	37	38
AG-OT16U6045B2-D-A-M1	16U 19" IP66 Outdoor Cabinets W=600mm D=450mm	16U	600	450	809	41	43
AG-OT20U6045B2-D-A-M1	20U 19" IP66 Outdoor Cabinets W=600mm D=450mm	20U	600	450	986	45	47
AG-OT22U6045B2-D-A-M1	22U 19" IP66 Outdoor Cabinets W=600mm D=450mm	22U	600	450	1075	47	49
AG-OT24U6045B2-D-A-M1	24U 19" IP66 Outdoor Cabinets W=600mm D=450mm	24U	600	450	1164	49	51
AG-OT26U6045B2-D-A-M1	26U 19" IP66 Outdoor Cabinets W=600mm D=450mm	26U	600	450	1243	51	53
AG-OT07U6060B2-D-A-M1	07U 19" IP66 Outdoor Cabinets W=600mm D=600mm	7U	600	600	409	37	38
AG-OT09U6060B2-D-A-M1	09U 19" IP66 Outdoor Cabinets W=600mm D=600mm	9U	600	600	498	40	41
AG-OT12U6060B2-D-A-M1	12U 19" IP66 Outdoor Cabinets W=600mm D=600mm	12U	600	600	631	43	45
AG-OT16U6060B2-D-A-M1	16U 19" IP66 Outdoor Cabinets W=600mm D=600mm	16U	600	600	809	49	51
AG-OT20U6060B2-D-A-M1	20U 19" IP66 Outdoor Cabinets W=600mm D=600mm	20U	600	600	986	55	57
AG-OT22U6060B2-D-A-M1	22U 19" IP66 Outdoor Cabinets W=600mm D=600mm	22U	600	600	1075	58	60
AG-OT24U6060B2-D-A-M1	24U 19" IP66 Outdoor Cabinets W=600mm D=600mm	24U	600	600	1164	61	63
AG-OT26U6060B2-D-A-M1	26U 19" IP66 Outdoor Cabinets W=600mm D=600mm	26U	600	600	1243	64	66





Outdoor IP66 Double Wall Cabinets

Product Code	Product Description	Height (U)	Width (w) (mm)	Depth (D) (mm)	Height (H) (mm)	Weight (Net) (kg)	Weight (Brut) (kg)
AG-OD07U6045B2-D-A-M1	07U 19" IP66 Outdoor Cabinets W=600mm D=450mm Double Wall (8mm between walls)	7U	600	450	409	35.8	336.8
AG-OD09U6045B2-D-A-M1	09U 19" IP66 Outdoor Cabinets W=600mm D=450mm Double Wall (8mm between walls)	9U	600	450	498	39.14	40.14
AG-OD12U6045B2-D-A-M1	12U 19" IP66 Outdoor Cabinets W=600mm D=450mm Double Wall (8mm between walls)	12U	600	450	631	45.12	46.12
AG-OD16U6045B2-D-A-M1	16U 19" IP66 Outdoor Cabinets W=600mm D=450mm Double Wall (8mm between walls)	16U	600	450	809	51.8	53.8
AG-OD20U6045B2-D-A-M1	20U 19" IP66 Outdoor Cabinets W=600mm D=450mm Double Wall (8mm between walls)	20U	600	450	986	58.48	60.48
AG-OD22U6045B2-D-A-M1	22U 19" IP66 Outdoor Cabinets W=600mm D=450mm Double Wall (8mm between walls)	22U	600	450	1075	61.82	63.82
AG-OD24U6045B2-D-A-M1	24U 19" IP66 Outdoor Cabinets W=600mm D=450mm Double Wall (8mm between walls)	24U	600	450	1164	65.16	67.16
AG-OD26U6045B2-D-A-M1	26U 19" IP66 Outdoor Cabinets W=600mm D=450mm Double Wall (8mm between walls)	26U	600	450	1243	68.5	70.5
AG-OD07U6060B2-D-A-M1	07U 19" IP66 Outdoor Cabinets W=600mm D=600mm Double Wall (8mm between walls)	7U	600	600	409	42.53	43.53
AG-OD09U6060B2-D-A-M1	09U 19" IP66 Outdoor Cabinets W=600mm D=600mm Double Wall (8mm between walls)	9U	600	600	498	47.1	48.1
AG-OD12U6060B2-D-A-M1	12U 19" IP66 Outdoor Cabinets W=600mm D=600mm Double Wall (8mm between walls)	12U	600	600	631	52.3	54.3
AG-OD16U6060B2-D-A-M1	16U 19" IP66 Outdoor Cabinets W=600mm D=600mm Double Wall (8mm between walls)	16U	600	600	809	61.4	63.4
AG-OD20U6060B2-D-A-M1	20U 19" IP66 Outdoor Cabinets W=600mm D=600mm Double Wall (8mm between walls)	20U	600	600	986	70.5	72.5
AG-OD22U6060B2-D-A-M1	22U 19" IP66 Outdoor Cabinets W=600mm D=600mm Double Wall (8mm between walls)	22U	600	600	1075	75.05	77.05
AG-OD24U6060B2-D-A-M1	24U 19" IP66 Outdoor Cabinets W=600mm D=600mm Double Wall (8mm between walls)	24U	600	600	1164	79.6	81.6
AG-OD26U6060B2-D-A-M1	26U 19" IP66 Outdoor Cabinets W=600mm D=600mm Double Wall (8mm between walls)	26U	600	600	1243	84.15	86.15