

FREE STANDING OFR CABINET

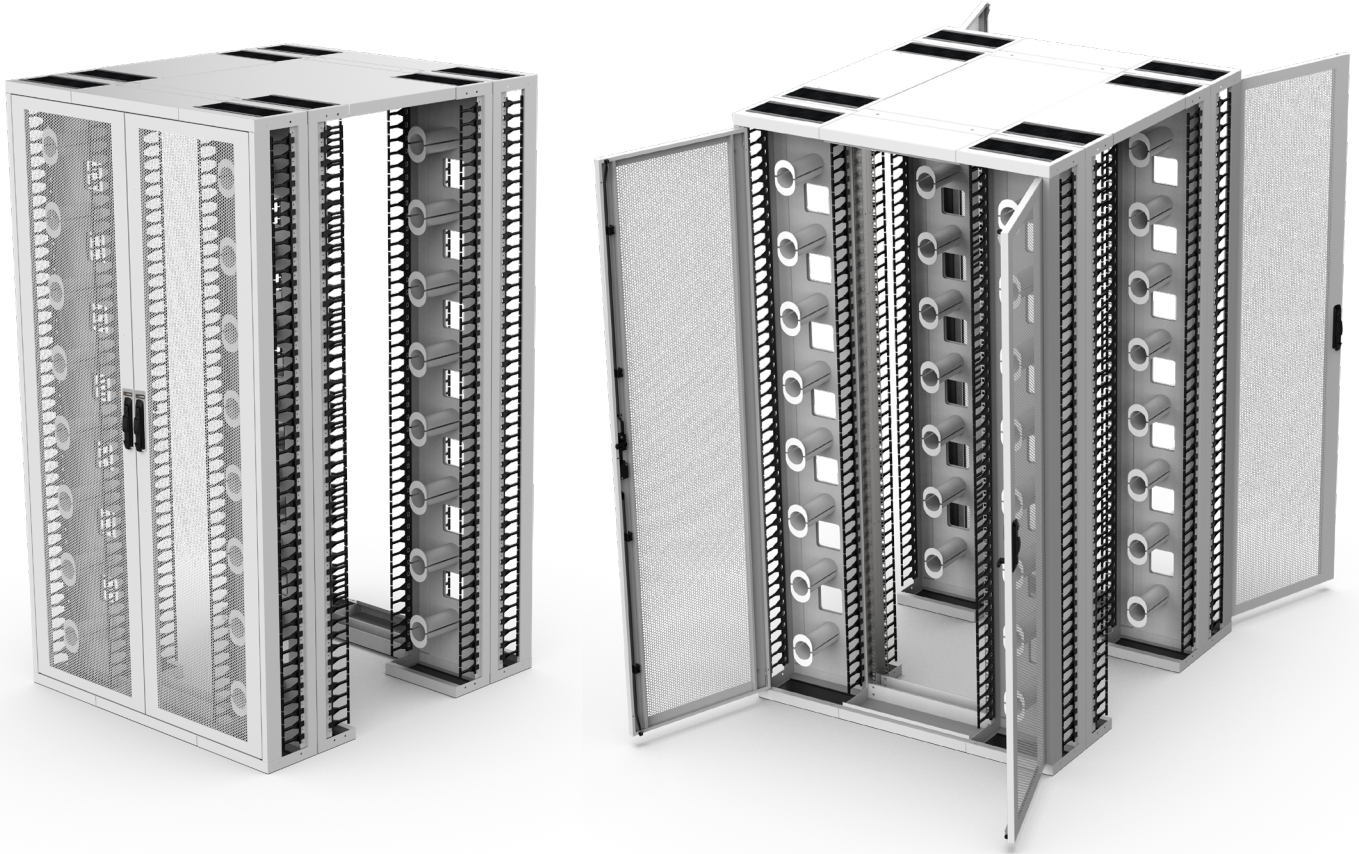


AGER OPEN FRAME Series offers a suitable solution for maximum cabling and network infrastructure; it provides a more cost-effective option compared to enclosed cabinet designs and can be shipped in flat-pack form.



Color Options

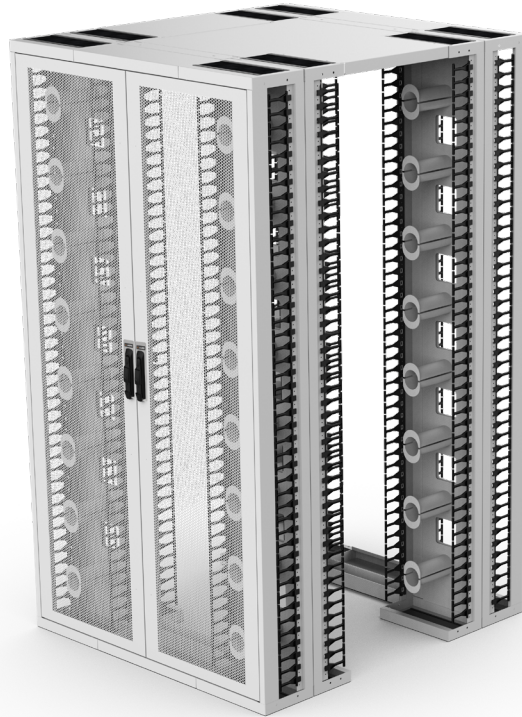
RAL7035 Light Grey RAL9005 Black



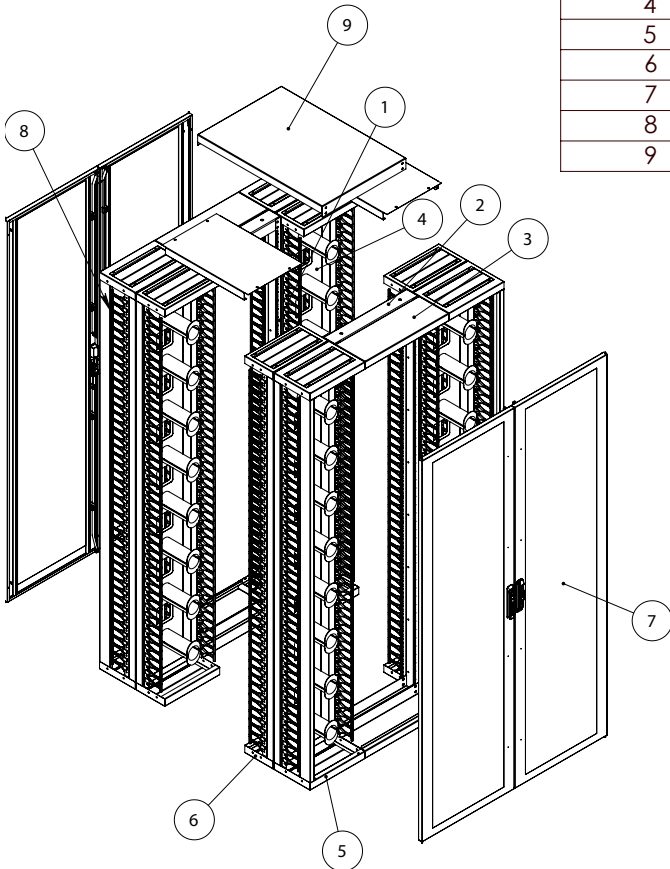
19" AGER OFR CABINETS

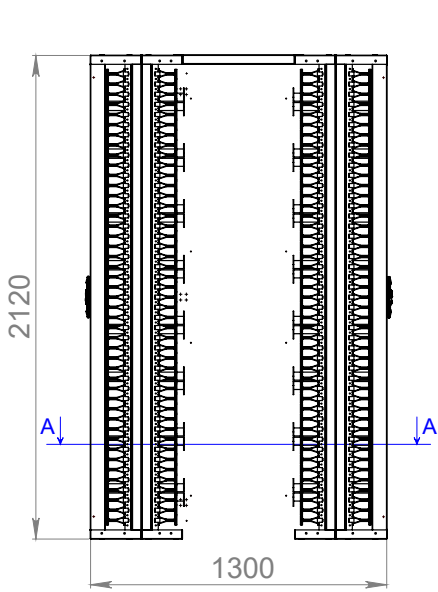
Product Code	Product Description	U Size (U)	Width (W) (mm)	Depth (D) (mm)	Height (H) (mm)	Weight (Net) (kg)	Weight (Gross) (kg)
AG-OFR42U1212XX-OM-A-M1	42U 19" Ager OFR Cabinet W=1200mm D=1200mm	42	1200	1200	1986		
AG-OFR45U1212XX-OM-A-M1	45U 19" Ager OFR Cabinet W=1200mm D=1200mm	45	1200	1200	2120		
AG-OFR47U1212XX-OM-A-M1	47U 19" Ager OFR Cabinet W=1200mm D=1200mm	47	1200	1200	2208		
AG-OFR42U1312XX-OM-A-M1	42U 19" Ager OFR Cabinet W=1300mm D=1200mm	42	1300	1200	1986		
AG-OFR45U1312XX-OM-A-M1	45U 19" Ager OFR Cabinet W=1300mm D=1200mm	45	1300	1200	2120		
AG-OFR47U1312XX-OM-A-M1	47U 19" Ager OFR Cabinet W=1300mm D=1200mm	47	1300	1200	2208		

XX = Colour Code, B1 White RAL 7035, S1 Black RAL 9005, during order please specify the colour choice
 Please consider when used levelling feet 30mm add to Height, in castor add 80mm
 0000 = Please check the Door Options page
 YY = M1 for pre-assembled, D1 for flat pack

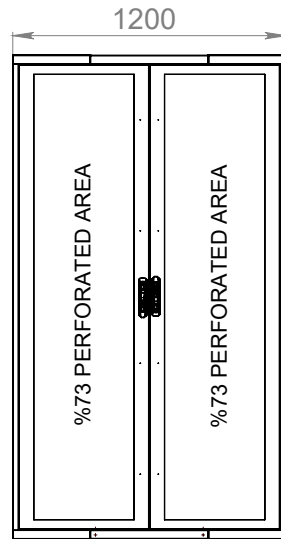


PART NUMBER	PART DESCRIPTION	PART THICKNESS	AMOUNT
1	MOUNTING RAIL SHEET	2 MM DKP	4
2	BODY SIDE PANEL SHEET	3 MM DKP	4
3	BODY UPPER AND LOWER PANEL SHEET	1,5 MM DKP	4
4	BODY UPPER SHEET	1,2 MM DKP	8
5	BODY UPPER AND LOWER PANEL SHEET	1,2 MM DKP	8
6	BODY UPPER AND LOWER PANEL SHEET	1,2 MM DKP	8
7	PERFORATED DOOR SHEET	1 MM DKP	4
8	BODY CORNER PROFILE SHEET	1,2 MM DKP	4
9	UPPER BODY SHEET	1,5 MM DKP	1

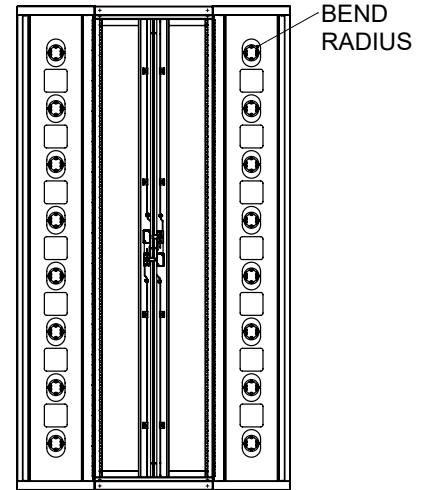




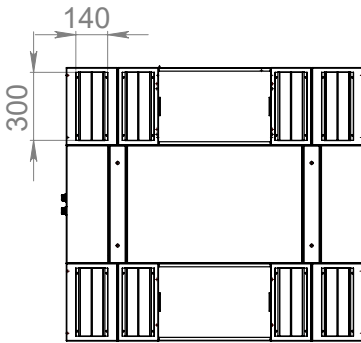
FRONT VIEW



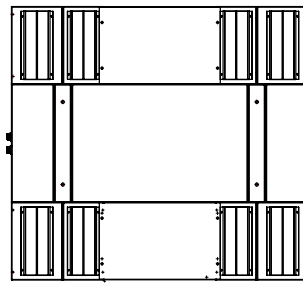
SIDE VIEW



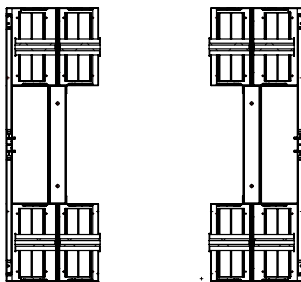
SIDE VIEW WITHOUT DOORS



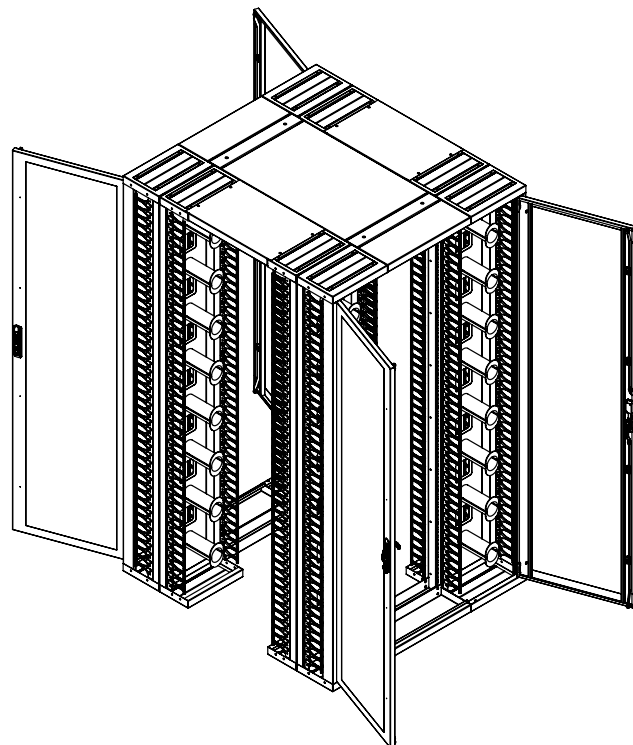
TOP VIEW



BOTTOM VIEW



SECTION A-A
SCALE 1 : 30



ISOMETRIC VIEW



19" AGER OFR CABINETS

Product Code	Product Description	U Size (U)	Width (W) (mm)	Depth (D) (mm)	Height (H) (mm)	Weight (Net) (kg)	Weight (Gross) (kg)
AG-OFR42U1212XX-KM-A-M1	42U 19" Ager OFR Cabinet W=1200mm D=1200mm	42	1200	1200	1986		
AG-OFR45U1212XX-KM-A-M1	45U 19" Ager OFR Cabinet W=1200mm D=1200mm	45	1200	1200	2120		
AG-OFR47U1212XX-KM-A-M1	47U 19" Ager OFR Cabinet W=1200mm D=1200mm	47	1200	1200	2208		
AG-OFR42U1312XX-KM-A-M1	42U 19" Ager OFR Cabinet W=1300mm D=1200mm	42	1300	1200	1986		
AG-OFR45U1312XX-KM-A-M1	45U 19" Ager OFR Cabinet W=1300mm D=1200mm	45	1300	1200	2120		
AG-OFR47U1312XX-KM-A-M1	47U 19" Ager OFR Cabinet W=1300mm D=1200mm	47	1300	1200	2208		

XX = Colour Code, B1 White RAL 7035, S1 Black RAL 9005, during order please specify the colour choice
 Please consider when used levelling feet 30mm add to Height, in castor add 80mm
 0000 = Please check the Door Options page
 YY = M1 for pre-assembled, D1 for flat pack



PART NUMBER	PART DESCRIPTION	PART THICKNESS	AMOUNT
1	MOUNTING RAIL SHEET	2 MM DKP	4
2	BODY SIDE PANEL SHEET	3 MM DKP	4
3	BODY UPPER AND LOWER PANEL SHEET	1,5 MM DKP	4
4	BODY SIDE PANEL SHEET	1,2 MM DKP	2
5	BODY UPPER AND LOWER PANEL SHEET	1,2 MM DKP	4
6	BODY MIDDLE PROFILE SHEET	1,2 MM DKP	4
7	BODY UPPER SHEET	1,2 MM DKP	4
8	BODY UPPER AND LOWER PANEL SHEET	1,2 MM DKP	4
9	REAR BODY SHEET	1,2 MM DKP	2
10	BODY UPPER PROFILE SHEET	1,2 MM DKP	4
11	BODY CORNER PROFILE SHEET	1,2 MM DKP	2
12	PERFORATED DOOR SHEET	1 MM DKP	4
13	UPPER BODY SHEET	1,5 MM DKP	1
14	SINGLE-PANEL GLASS DOOR SHEET	1,5 MM DKP	1

